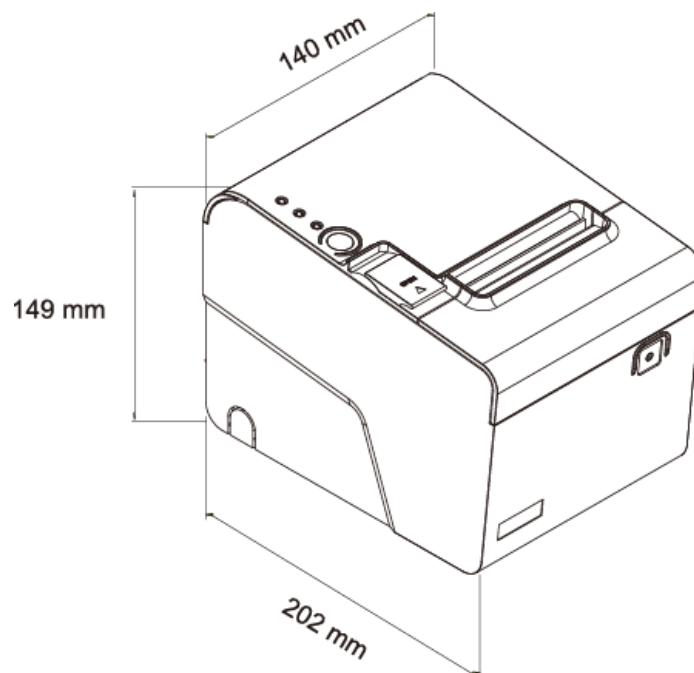


## Heavy-Duty Thermal Receipt Printer

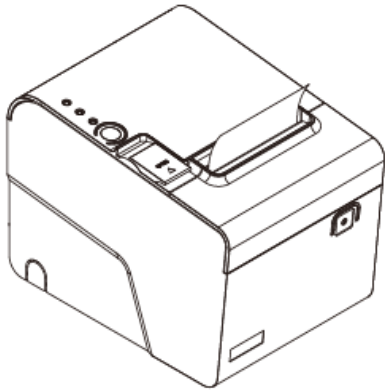
### PRP-188



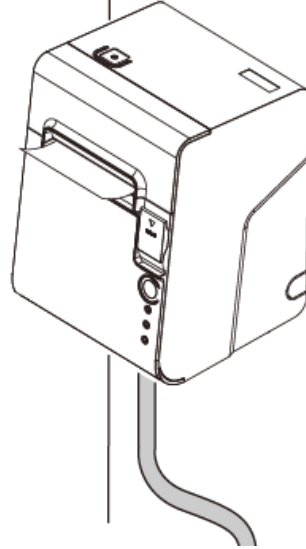
- **Dimensions**



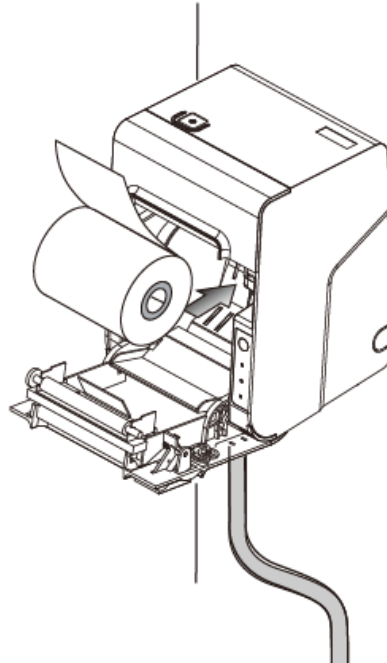
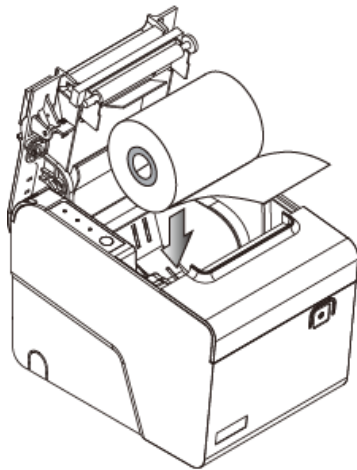
- **Printing/Installation**



**Desk Printing**



**Vertical Printing**



- Specifications

Model		PRP-188
<b>General</b>		
Print Method		Thermal line printing
Print Speed		250mm/sec
Print Life		100 Km
Print Font (ASCII Mode)		ANK Font. Font A: 12 x 24 dots, Font B: 9 x 17 dots
Print Font (Graphic Font)		Chinese Character: 24 x 24 dots
Print Resolution		576 dots/line or 512 dots/line
Print Font Character Support *		International Font, Big 5 Chinese, GB Chinese, Japanese, Korean selectable
Character Per Line		48 (Font A) / 42(Font B)
Effective Print Width		72mm
Paper Width		79.5mm± 0.5mm
Paper Roll Diameter		≤ 83mm
Paper Thickness		0.06~0.08mm
Driver		Win 9X/Win ME/Win 2000/ Win 2003/Win NT/Win XP/ Win Vista/Win 7, Win 8 compatible with EPSON and SAMSUNG
Print Command		ESC/POS print commands set
<b>Interface</b>		
I/O Interface		Multi I/O Interface (Serial +Ethernet +USB or Parallel type selectable)
Cash Drawer		DC 24V/1A, 6-Wire RJ-11
<b>Notification</b>		
Indicator		Audio and LED Indicators
Auto Cutter		Partial
Paper End Notice		Yes
Over-Heat Halt-on Protection		Yes
<b>Others</b>		
Power Input		24VDC/2.5A (External Adapter: 100~240VAC 50/60Hz)
Color		Black
Compliance		FCC / CE / WEEE / RoHS
Weight		1600g (without cable )
Dimension (mm)		202(L) x 140(W) x 149(H)
Operating Temperature		0°C~45°C
Operating Humidity		10% ~ 80% RH, non-condensing
Storage Temperature		-10°C~ 60°C
Storage Humidity		10% ~ 90% RH non-condensing

